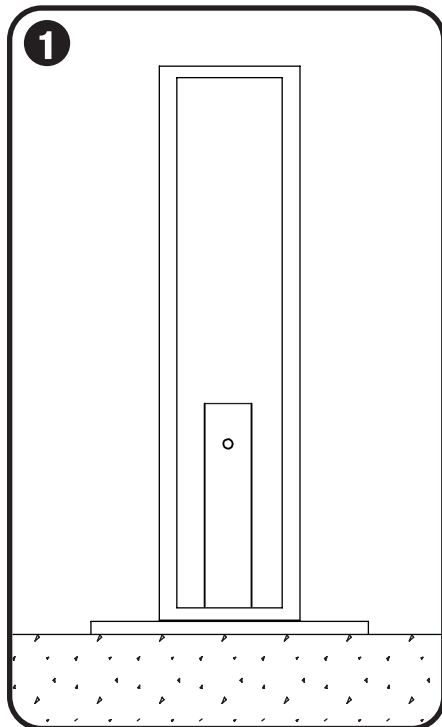


SOLERIS SUNSHADE

SURFACE MOUNT WITH APEX TABLE ENSEMBLE INSTALLATION INSTRUCTIONS

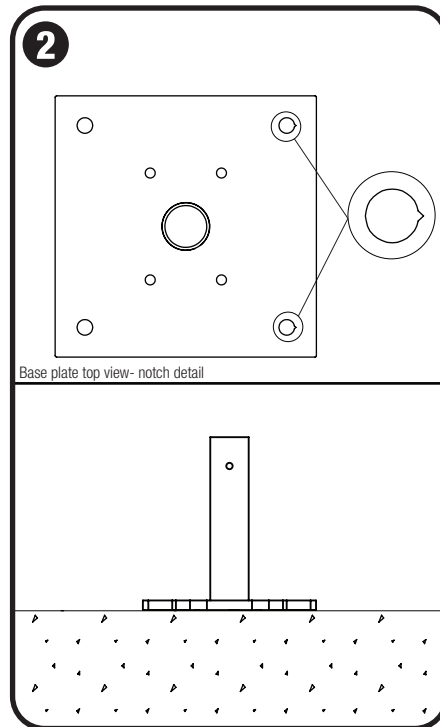
INCLUDED	MOUNTING KIT (SOLD SEPARATELY)	TOOLS NEEDED
<p>e f g h locking pin</p>	<p>epoxy 5/16" hex bit for tamper-resistant bolts a b c d</p>	<p>1/4", 1/2" & 7/8" drill bits for concrete pencil ratchet hammer drill steel wire brush</p>

STEP BY STEP FOR SOLERIS SUNSHADE USED WITH APEX TABLE ENSEMBLE



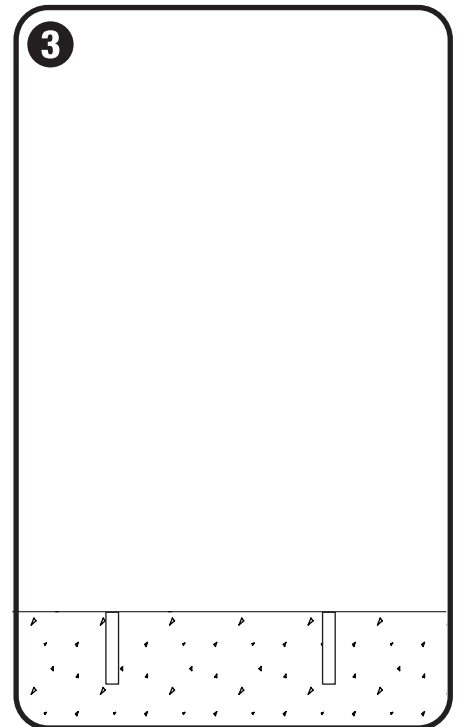
Test fit table column with base plate

- Align table column to base plate mounting holes before mounting base plate; the bolt pattern is not square.



Mark hole locations

- Place the sunshade base plate in desired location. Mark center of each hole location with a pencil. Mounting holes are located on the sunshade's base plate.
- To show multiple Soleris Sunshades in the same orientation, align the notch on the base plates (detail above) in the same direction.



Drill holes

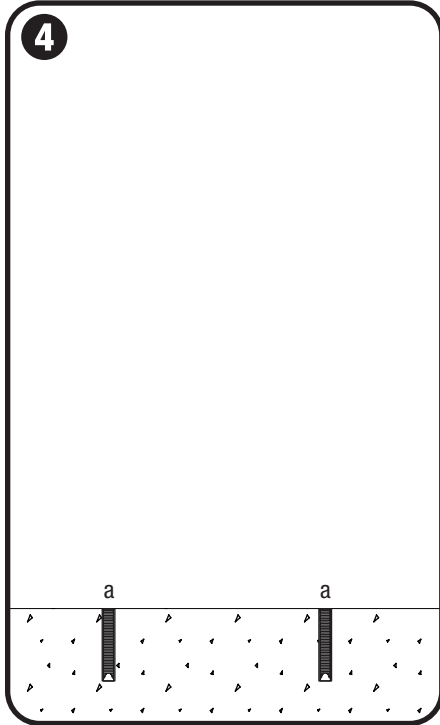
- Use hammer drill to drill 5" deep x 7/8" diameter anchor holes at each marked location using a 7/8" drill bit suitable for concrete drilling.

NOTE: Forms+Surfaces recommends starting holes with 1/4" diameter drill bit followed by 1/2" and finally 7/8" for maximum accuracy.

SOLERIS SUNSHADE

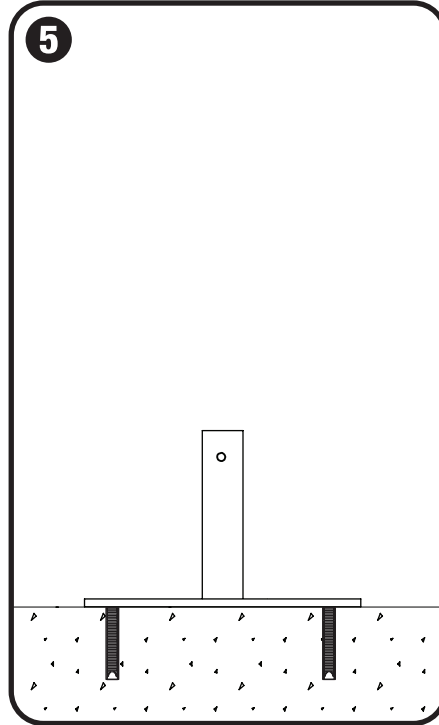
SURFACE MOUNT WITH APEX TABLE ENSEMBLE INSTALLATION INSTRUCTIONS

STEP BY STEP FOR SOLERIS SUNSHADE USED WITH APEX TABLE ENSEMBLE



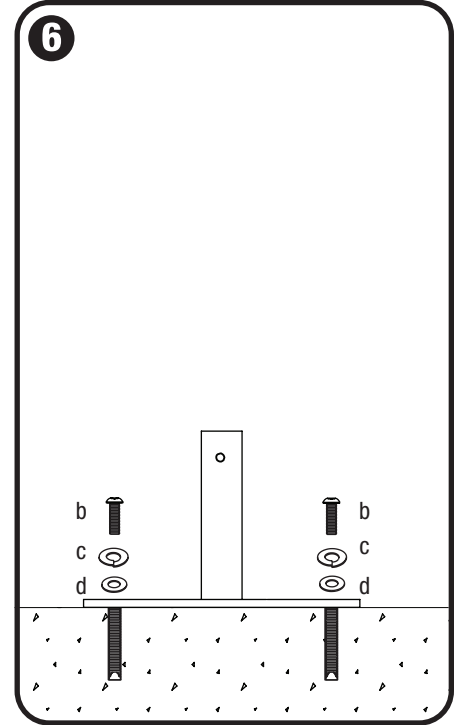
Fill holes & insert anchors

- Use compressed air and steel wire brush to clean each anchor hole in accordance with epoxy instructions.
- Use epoxy in epoxy gun to fill each anchor hole 5/8" of the hole depth in accordance with epoxy instructions.
- Insert 1/2"-13 x 5" epoxy anchor (a) into each anchor hole so anchor top is flush with ground. Allow proper curing time according to cure schedule on epoxy instructions before moving on to the next step.



Position baseplate

- Position baseplate so that mounting holes line up with anchors.



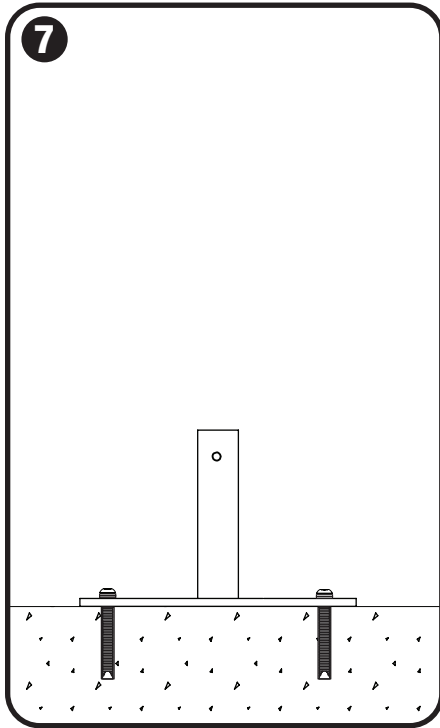
Attach baseplate

- Slide 1/2" stainless steel lock washer (c), and 1/2" stainless steel flat washer (d), onto each 1/2"-13 x 1.5" tamper-resistant button head cap bolt (b).
- Insert bolts into mounting holes in the sunshade's base plate and thread into anchors using 5/16" hex bit for tamper-resistant bolts.

SOLERIS SUNSHADE

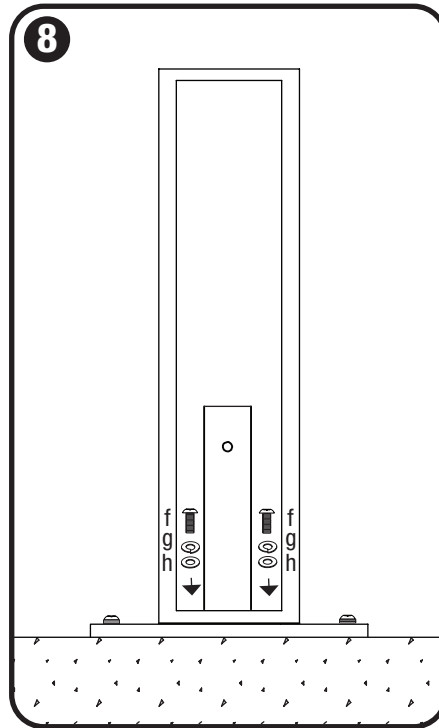
SURFACE MOUNT WITH APEX TABLE ENSEMBLE INSTALLATION INSTRUCTIONS

STEP BY STEP FOR SOLERIS SUNSHADE USED WITH APEX TABLE ENSEMBLE



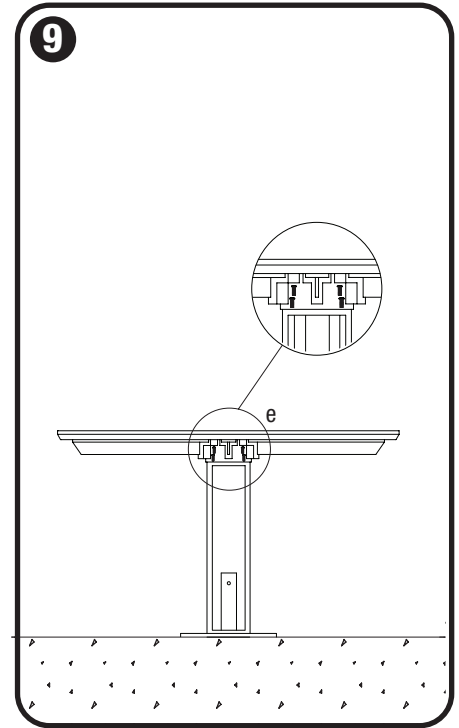
Tighten bolts

- Tighten bolts until snug.



Attach table column to base plate

- Slide 1/2" stainless steel lock washer (c), and 1/2" stainless steel flat washer (d), onto each 1/2"-13 x 1.25" tamper-resistant button head cap bolt (f).
- Insert bolts into mounting holes in the table column and thread into anchors using 5/16" hex bit for tamper-resistant bolts.



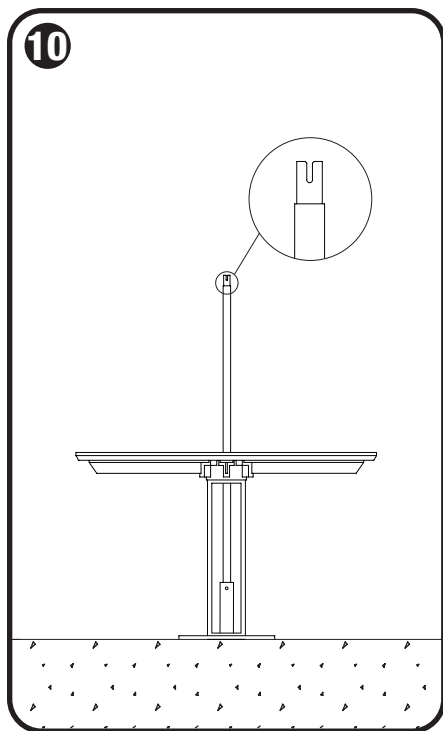
Attach table top to table column

- Use 7/32" Allen wrench to attach table top to table column using four (4) 3/8" -16 x 1" button head cap bolts (e).
- NOTE: Table top must be supported during this step.

SOLERIS SUNSHADE

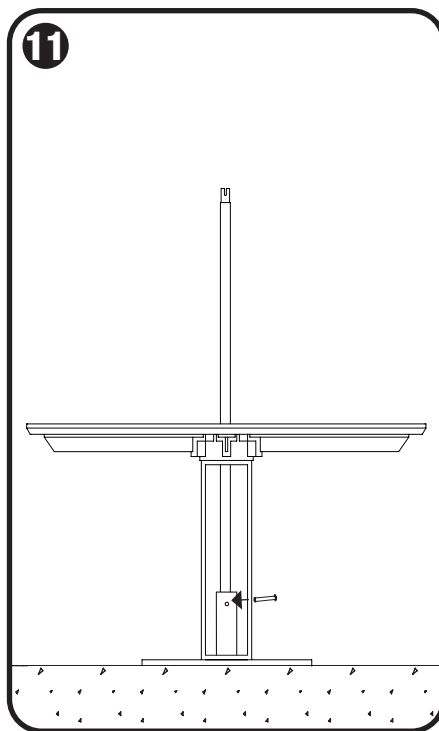
SURFACE MOUNT WITH APEX TABLE ENSEMBLE INSTALLATION INSTRUCTIONS

STEP BY STEP FOR SOLERIS SUNSHADE USED WITH APEX TABLE ENSEMBLE



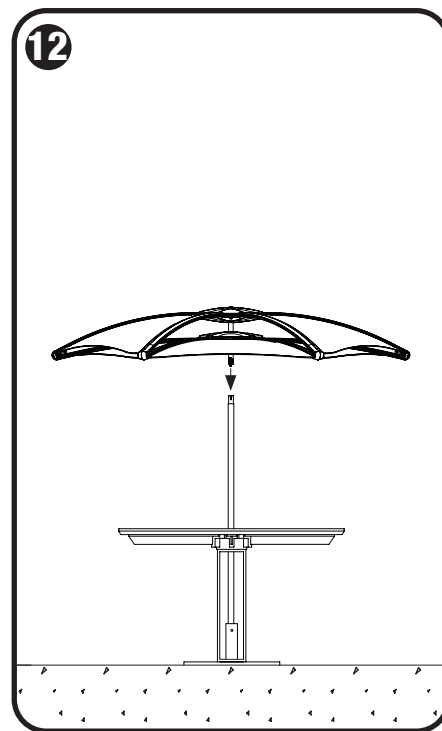
Put sunshade pole into the mounting pole

- Place sunshade pole, with notch facing up, through the table into the mounting pole.



Insert locking pin to affix mounting pole to mounting assembly

- Line up the pre-drilled holes in the mounting pole and mounting pole sleeve, and insert the locking pin.



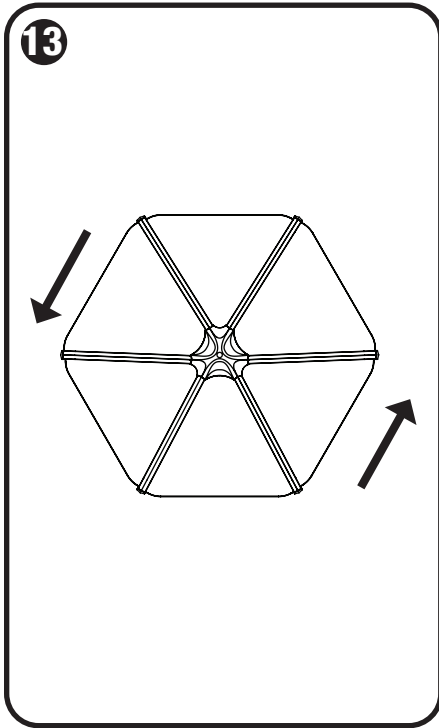
Slide sunshade assembly onto sunshade pole

- Slide the tube in the center of the sunshade assembly onto the sunshade pole, linking the two pieces together.

SOLERIS SUNSHADE

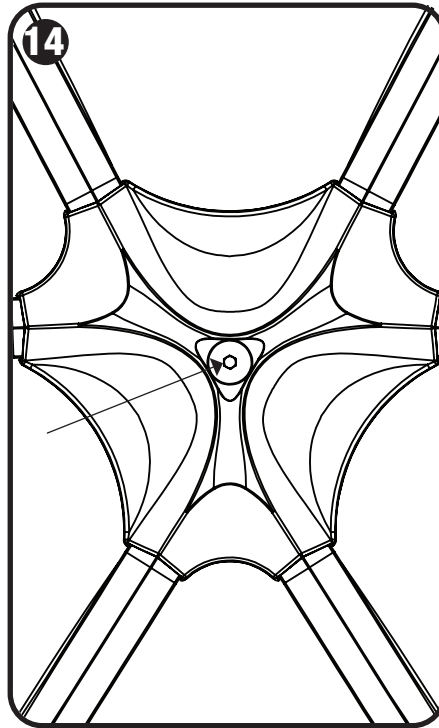
SURFACE MOUNT WITH APEX TABLE ENSEMBLE INSTALLATION INSTRUCTIONS

STEP BY STEP FOR SOLERIS SUNSHADE USED WITH APEX TABLE ENSEMBLE



Rotate sunshade

- Rotate sunshade until it engages with pins.



Tighten bolt on top of sunshade

- Tighten bolt on top of sunshade with ratchet until snug.